

Kidde Fire Systems Natura™ Inert Gas System Component Description



Effective: April 2022
K-38-3570 Rev AD

Endcover

FEATURES

- For Approvals, see the “COMPATIBILITY” table.
- REACH and RoHS compliant

DESCRIPTION

Use an endcover on both ends of the Unistrut® pieces to protect the edges of the racking system.

MATERIAL

Body: Polyvinyl Chloride (PVC) White
Weight: 0.005 kg (0.01 lbs)

REFERENCE PARTS:

- Wall Mounting Rail for Manifold:
See P/N 01-8121/30-1000
- Bracket for Manifold: See P/N 01-8160-0150/0830

ORDERING INFORMATION

Part Number	Description
01-8131-0002	Endcover, White PVC 34 X 40 mm

COMPATIBILITY

Series	DIOM P/N	Approvals*
Natura™ Inert Gas System	06-237619-001	FM, UL
* For additional listings, contact Kidde Fire Systems		

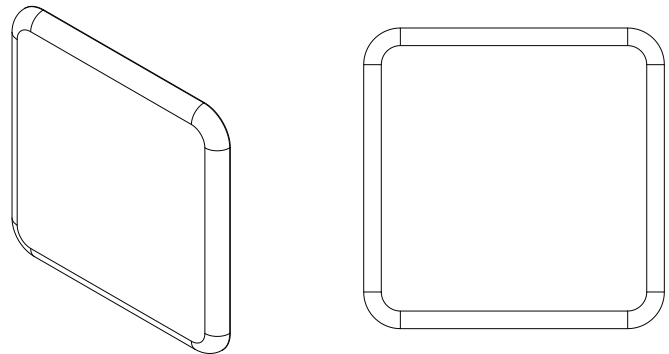


Figure 1.

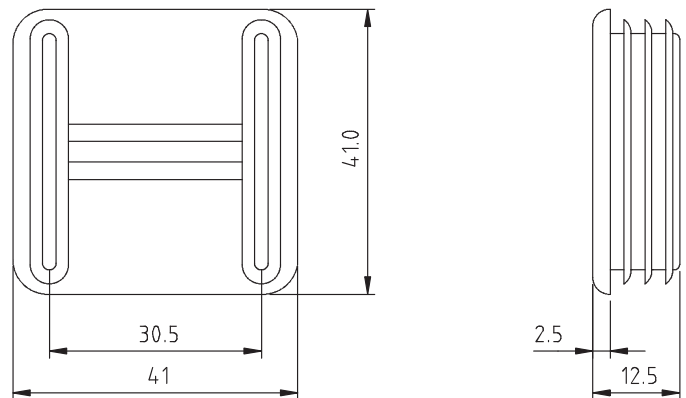


Figure 2.

EXPORT INFORMATION (USA)

Jurisdiction: EAR
Classification: EAR99

This document contains technical data subject to the EAR.

Unistrut is a registered trademark of Atkore International Group.
All trademarks are property of their respective owners.

©2022 Carrier

This literature is provided for informational purposes only. KIDDE-FENWAL, INC. believes this data to be accurate, but it is published and presented without any guarantee or warranty whatsoever. KIDDE-FENWAL, INC. assumes no responsibility for the product's suitability for a particular application. Product features specified are only applicable when the fire suppression system is correctly designed, installed, maintained and serviced by trained, authorized Kidde Fire Systems distributors as per the applicable design, installation, operation, and maintenance manuals. If you need more information on this product, or if you have a particular problem or question, contact: KIDDE-FENWAL, INC., Ashland, MA 01721 USA, Telephone: (508) 881-2000.

Kidde Fire Systems
400 Main Street
Ashland, MA 01721
Ph: 508.881.2000
Fax: 508.881.8920
kiddefiresystems.com